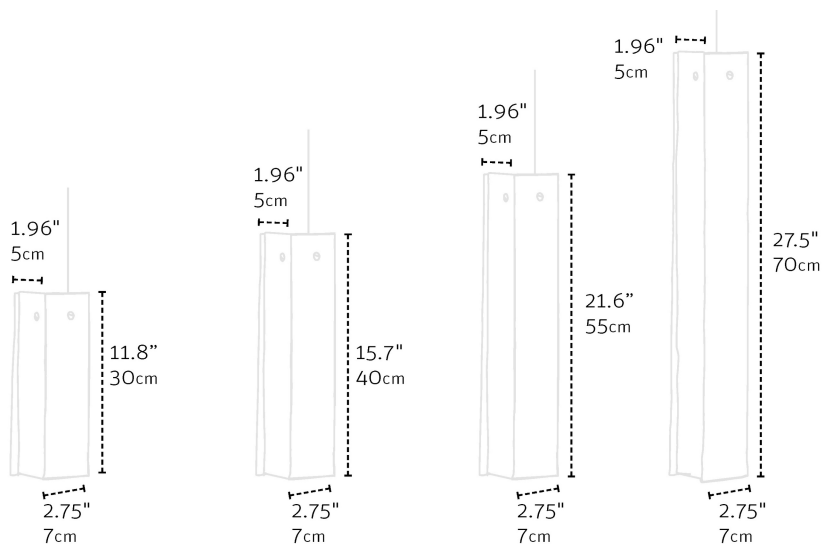


SUNBEAM SPECIFICATIONS

DESCRIPTION

- Stained glass hanging pendant chandelier
- Each pendant consists of 4 glass panels
- 4 lengths of pendants are available
- Customized dimension, shape, and finish of the ceiling plate




GENERAL INFORMATION

SKU:	SML-1530
Collection	SUNBEAM
Class	Ceiling, Chandelier, SMLD400
Materials	Glass,metal
UL, CSA ID	E300046-0002-C00

COMPONENTS

Pendant sizes	1.96x2.75" H: 11.8/15.7/22.6/27In 5x7cm H: 30/40/50/70cm
Weight:	2.2-2.8lb(Single pendant, including all parts) I 1-1.3kg
Ceiling plates hape	Square I Round I Rectangle I triangle I ring I oval
Ceiling plate material	Metal, 0.04" I 0.1cm
Ceiling plate size:	Width+Length: Made-to-order I Depth: 1.575In (4cm_
Ceiling plate finish:	<u>Finishes</u>
Cords	Tinned copper covered transparent Teflon
Cords length	Up to 35ft long I10m. Pre-set in cascading different lengths. Adjustable.
Compatible with:	Slope I peaked I sky light I beam I winch

LAMPING SPEC

Bulb type:	Self-ballasted lamp. GU10 
Wattage (single bulb)	7w
Input voltage	AC 110-240V
Lumens (single bulb)	570 lumens
Color temperature:	3000k warm-white
Dimming	Dimmable, any dimming switch, TRIAC included
Bulb included	Yes
CRI	80
Driver requires:	No
Beam Angle	38°
Lifespan (Hrs)	>15,000
Maintenance	Low, Easy to replace, Available in stores

INSTALLATION & ELECTRICAL REQUIREMENTS

Max wattage (single bulb):	7W
Voltage:	120/240V
Location:	Dry location only
Power source	Hardwired
Wiring	Single electrical outlet
Electrical rating	Input: 120Vac, 60Hz, 0.61A
Assembler required	Glasses only
Installation instructions	https://drive.google.com/file/d/1munC2oIf_NIVt9lBs43tKNRohI3mgPGx/view?usp=drive_link
Ceiling plate-back	https://drive.google.com/file/d/1BIuyKdE_pAEd2TQsYgTejhBUvC2KIide/view?usp=drive_link
UL, CSA approval	https://drive.google.com/file/d/1QasFjw8v0j0l9iSGz9lZf5C6woOrrwD/view?usp=drive_link