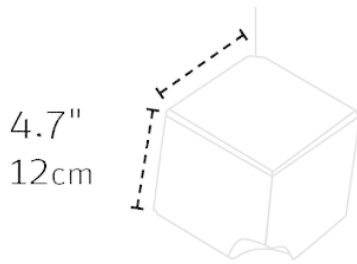
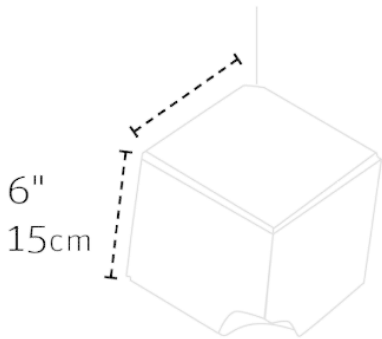
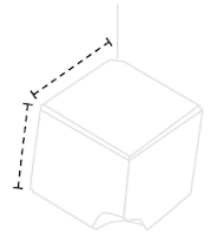


NOYA COLLECTION SPECIFICATIONS

DESCRIPTION



3.3"
8cm



MEASUREMENTS & WEIGHT

	NOYA	NOA	NOGA
SML	1529	1511	1913
Pendant size	26.37*3.93*8.66" 67x10x20cm	35*3.93*8.66" 90x10x20cm	35*2.7*8.66" 90x7x20cm
Overall Weight	14lb I 6.5kg	16lb I 7.5kg	17lb I 8kg
Ceiling plate size	26x3.9" or 4.7"	35x3.9" or 4.7"	35x3.9" or 4.7"
Cords	Tinned copper covered transparent Teflon		
Cords length	Up to 35ft long I 10m. Pre-set in cascading different lengths Adjustable		

Compatible with

Slope I peaked I skylight I beam

MEASUREMENTS & WEIGHT

	NOYA	NOA	NOGA
			
Light source	Led E26/E27	Led G9	Led G4
Wattage single bulb	12W	5W	2W
Working Voltage	AC 120-240V	AC 120-240V	AC 110-240V
Lumens	1350	450	170
CRI	80		
Color temperature:	3000K		
Beam Angle			
Driver requires:			
Dimming			
Bulb included			
Lifespan(Hrs)			

ELECTRICAL REQUIREMENTS - INSTALLATION

Max wattage (single bulb):

7W

Voltage:	120v I 240V
Location:	Dry location only
Power Source:	Hardwired
Wiring:	Single electrical outlet
Dimming:	Dimmable, any dimming switch, TRIAC included
Electrical rating:	Input: 120Vac, 60Hz, 0.61A.
Assembly Required:	Glasses
Installation instructions:	https://did.li/CiGIC
Ceiling back plate:	https://did.li/Gyqaa
UL CSA Approval:	https://did.li/fopaa